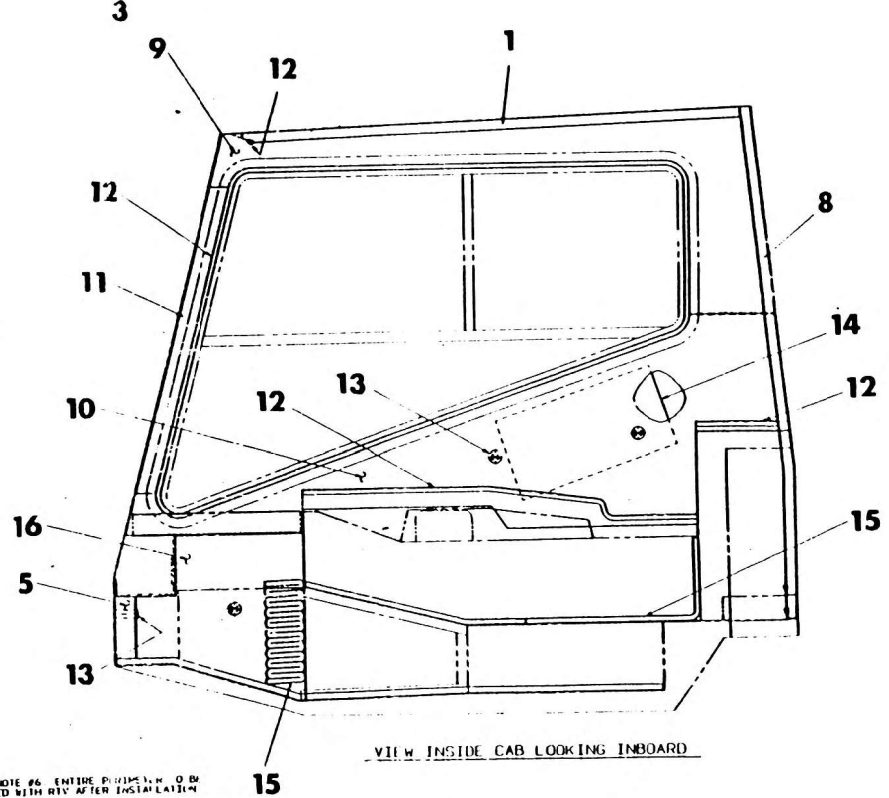
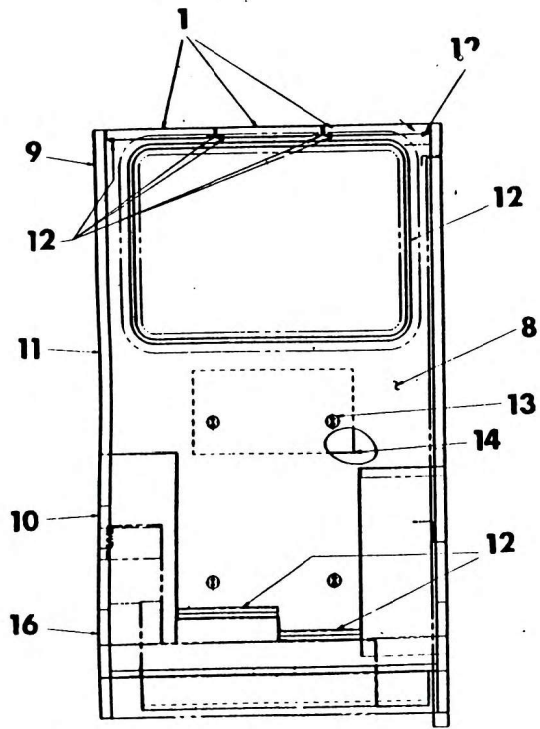
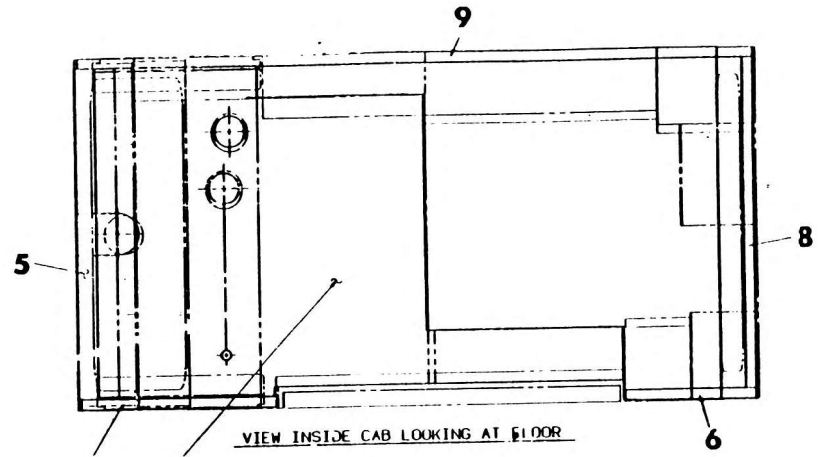


CUT ITEM #100 AS REF  
THIS AREA FOR EL-HALF  
BRAKE VALVE ON EURO  
UNIT



SEE NOTE #6 ENTIRE PERIMETER TO BE  
SEALED WITH RTV AFTER INSTALLATION